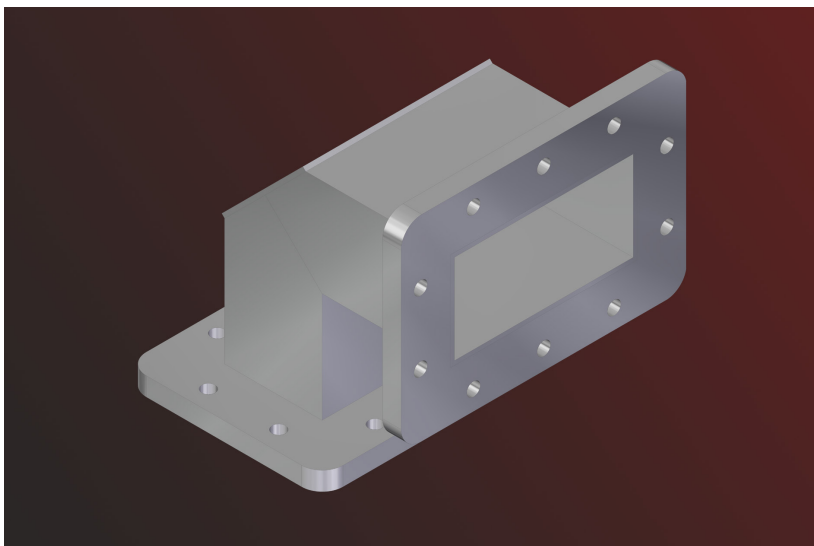


Features



- Suitable for 2450 MHz components
- Flange IEC153: R26 / EIA: WR340

Dimensions

